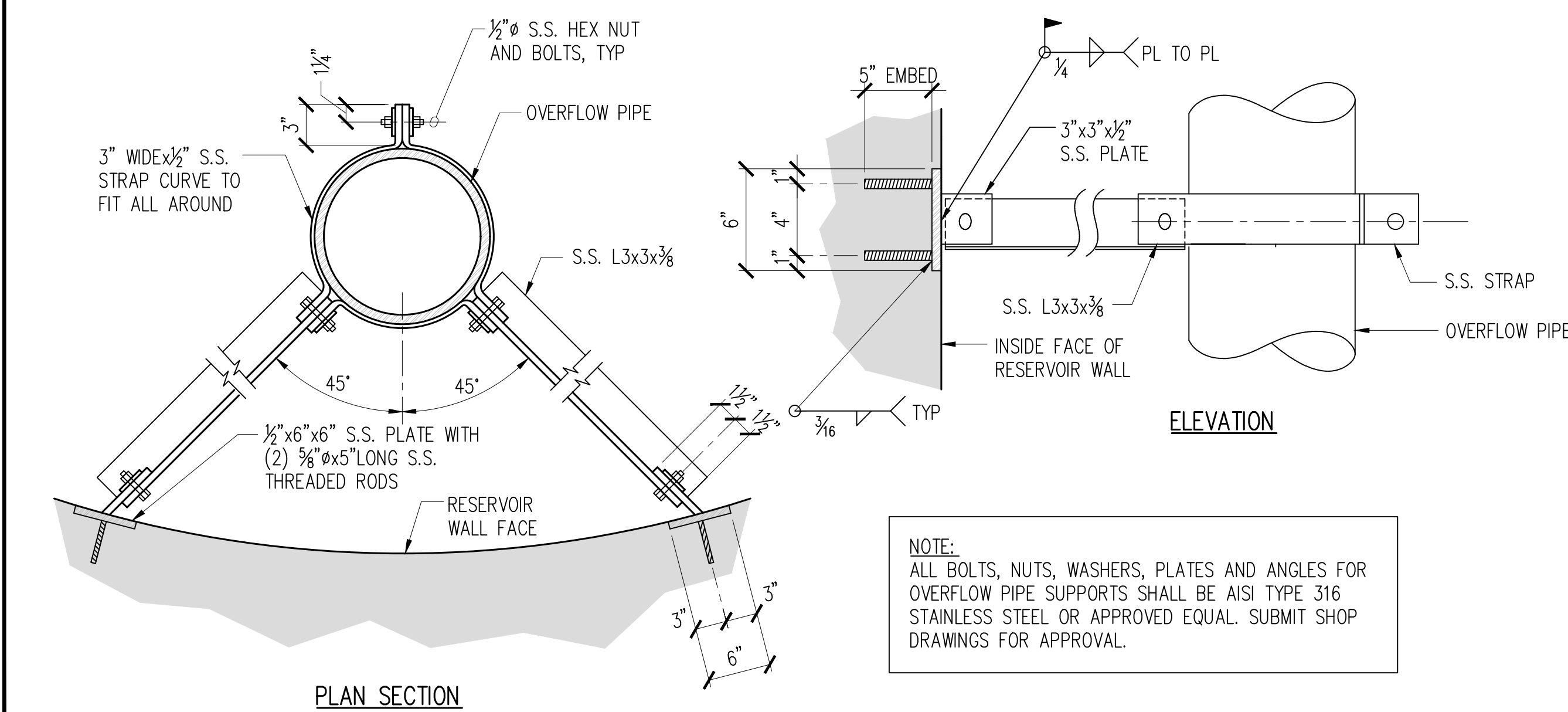
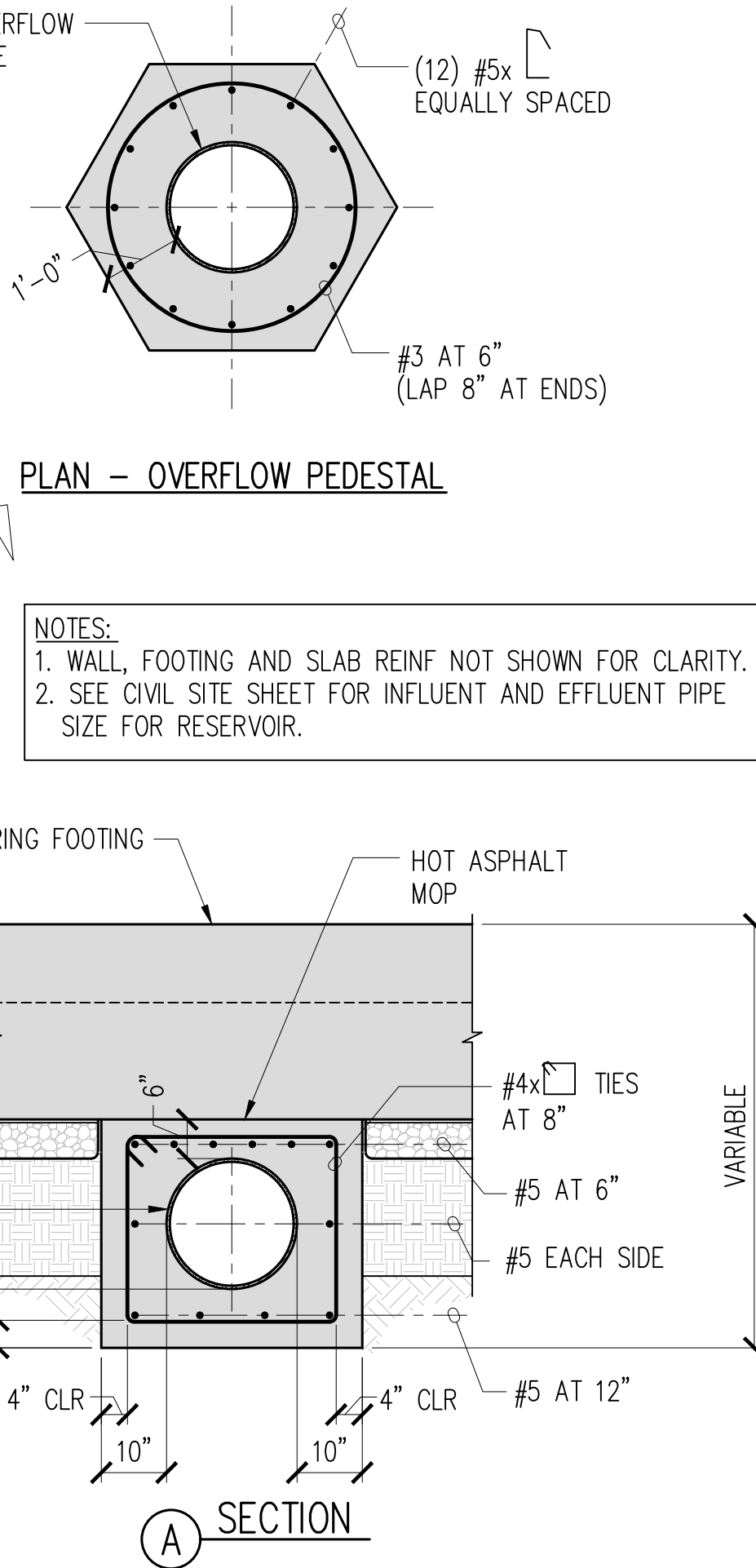


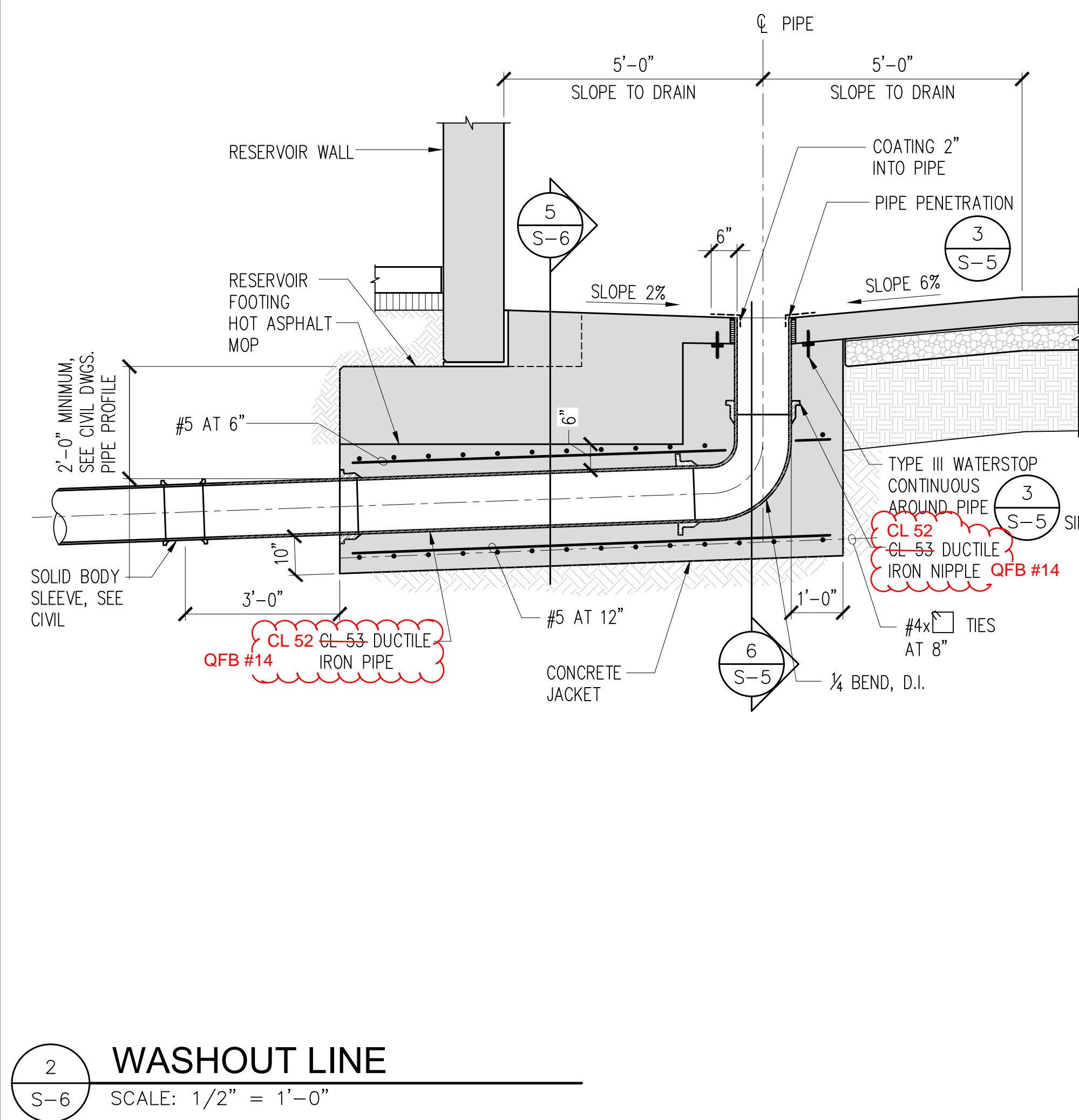
1  
S-6  
**DETAIL OF OVERFLOW PIPE**  
SCALE: 1/2" = 1'-0"



3  
S-6  
**OVERFLOW PIPE SUPPORT DETAILS**  
NOT TO SCALE

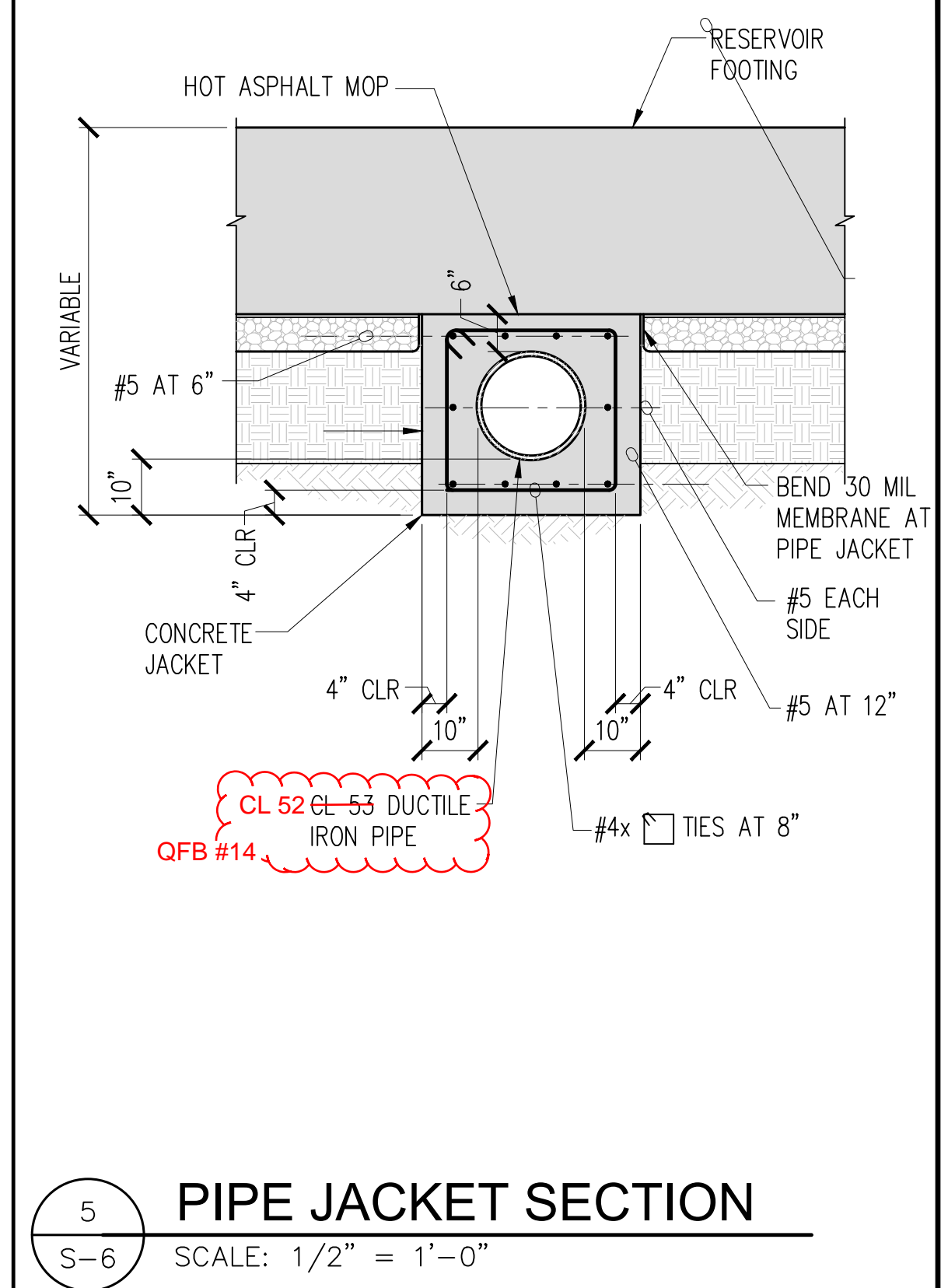


NOTES:  
1. WALL, FOOTING AND SLAB REINF NOT SHOWN FOR CLARITY.  
2. SEE CIVIL SITE SHEET FOR INFLUENT AND EFFLUENT PIPE SIZE FOR RESERVOIR.

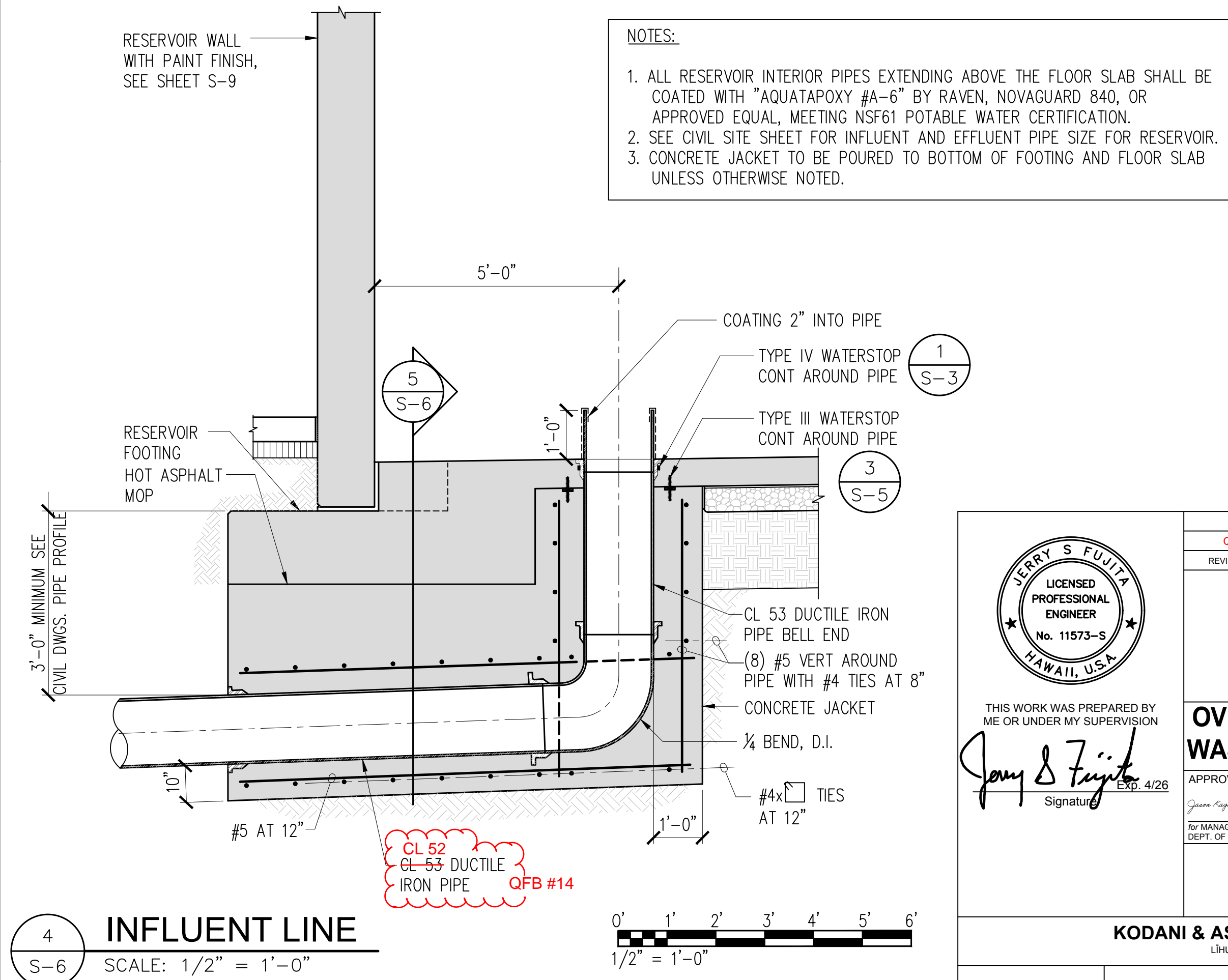


2  
S-6  
**WASHOUT LINE**  
SCALE: 1/2" = 1'-0"

NOTE:  
CONCRETE JACKET TO BE POURED TO BOTTOM OF FOOTING AND FLOOR SLAB UNLESS OTHERWISE NOTED.

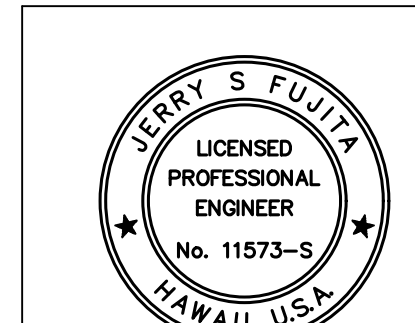


5  
S-6  
**PIPE JACKET SECTION**  
SCALE: 1/2" = 1'-0"



4  
S-6  
**INFLUENT LINE**  
SCALE: 1/2" = 1'-0"

NOTES:  
1. ALL RESERVOIR INTERIOR PIPES EXTENDING ABOVE THE FLOOR SLAB SHALL BE COATED WITH "AQUATOPOXY #A-6" BY RAVEN, NOVAGUARD 840, OR APPROVED EQUAL, MEETING NSF61 POTABLE WATER CERTIFICATION.  
2. SEE CIVIL SITE SHEET FOR INFLUENT AND EFFLUENT PIPE SIZE FOR RESERVOIR.  
3. CONCRETE JACKET TO BE POURED TO BOTTOM OF FOOTING AND FLOOR SLAB UNLESS OTHERWISE NOTED.



THIS WORK WAS PREPARED BY ME OR UNDER MY SUPERVISION  
*Jerry S. Fujita*  
Signature  
EMP. 4/26

REVISION	DATE	DESCRIPTION	BY	APPROVED
QFB #14	3-24-2026	REVISE DI PIPE TO CL 52		

**CONSTRUCT KĪLAUEA  
466' TANK, 1.0 MG**

**OVERFLOW, INFLUENT/EFFLUENT AND  
WASHOUT LINE SECTION AND DETAILS**

APPROVED: \_\_\_\_\_ DATE: 02/02/2026  
DEPT. MANAGER & CHIEF ENGINEER, DEPT. OF WATER, COUNTY OF KAUAI

**S-6**

**KODANI & ASSOCIATES ENGINEERS, LLC**  
1810 E. KALIA I, HAWAII 96766

DESIGNED BY: JF    DRAWN BY: CAD    DATE: 26 April 2024    **SHEET 35 OF 65**